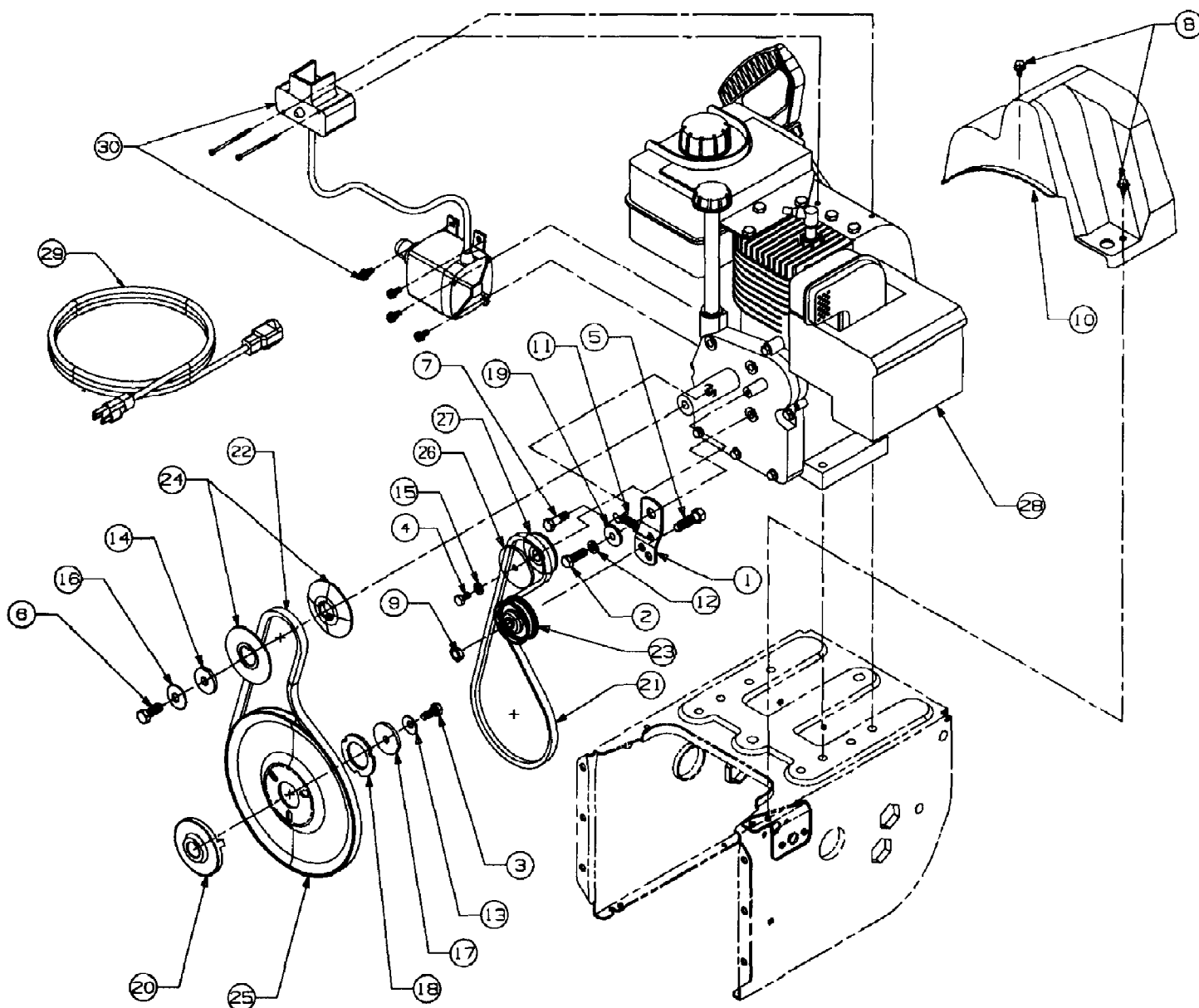


31AE623D190 Snow Boss 550 (1999)
Blower Housing

Page 2 of 15

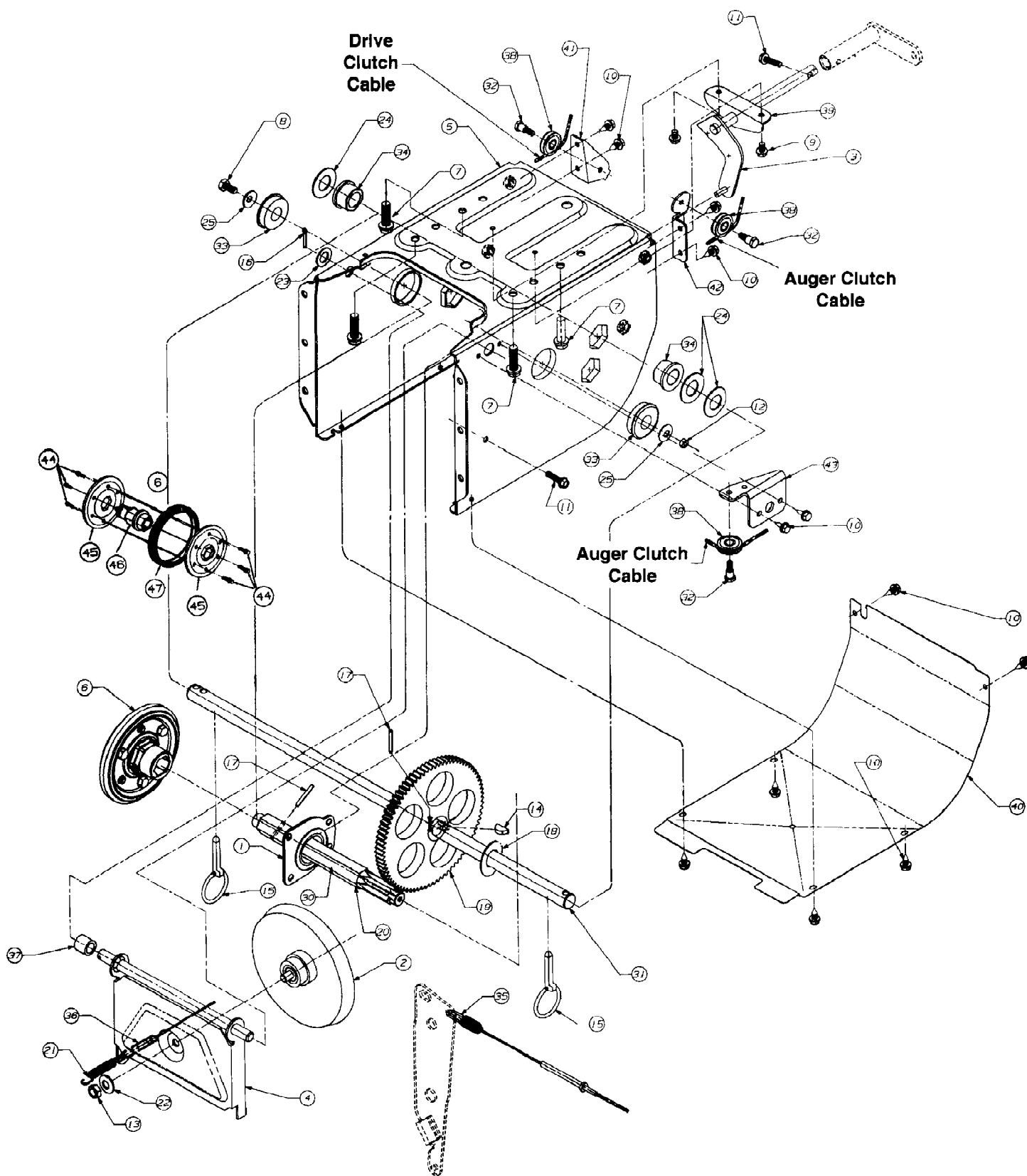
Ref #	Part Number	Qty	S/P/F	Description
1	05931	1	S	Housing-Bearing
2	605-5253	1	S	Spiral Assembly - L.H. 22" SB-550
	605-5189	1	S	Spiral Assembly - L.H. 24" SB-750
3	605-5252	1	S	Spiral Assembly - R.H. 22" SB-550
	605-5188	1	S	Spiral Assembly - R.H. 24" SB-750
4	618-0152	1	S	Gear Assembly 22" SB-550
	618-0120	1	S	Gear Assembly 24" SB-750
5	684-0052	1	S	Housing Assembly 22" SB-550
	684-0039A	1	S	Housing Assembly 24" SB-750
6	784-5632	1	S	Arm-Idler Assembly
7	684-0065	1	S	Impeller Assembly
8	705-5226	1		Reinforcement-Chute
9	710-0260	4	S	Screw-Carriage
10	710-0451	2	/P	Screw-Carriage
11	710-0604	6	S	Screw-Hex
12	710-0890A	2	/P	Shear Bolt
13	712-0116	1	S	Nut-Hex Lock
14	712-3010	19	S	Nut-Hex
15	712-0429	2	S	Nut-Hex
16	712-0798	1	/P	Nut-Hex
17	712-0324	5	/P	Nut-Hex Lock
18	715-0114	2	S	Pin-Spring
19	731-1379	1	S	Adapter-Chute
20	732-0611	1	S	Spring
21	736-0119	9	S	Washer-Lock
22	736-0174	1	/P	Washer-Wave
23	736-0169	1	S	Washer-Lock
24	736-0188	6	/P	Washer-Flat
25	736-0242	12	/P	Washer-Bell
26	738-0281	1	S	Screw-Shoulder
27	741-0245	2	S	Bearing-Flange
28	741-0309	1	S	Bearing-Ball
29	741-0475	1	S	Bushing-Plastic
30	741-0493A	4	/P	Bushing-Flange
31	756-0178	1		Idler-Flat
32	784-5580	2		Shoe-Slide
33	784-5576	1	S	Shave Plate 22" SB-550 (For model 623)
	784-5581A	1	S	Shave Plate 24" SB-750 (For model 633)
34	784-5618	2	S	Housing-Bearing
35	784-5647	1	S	Bracket-Chute Crank
36	710-0459A	1	/P	Screw-Hex
37	712-3068	1	S	Nut-Patch Hex
38	736-0463	5	S	Washer-Flat
39	710-0703	4	/P	Screw-Carriage



31AE623D190 Snow Boss 550 (1999)
Engine And V-Belts

Page 4 of 15

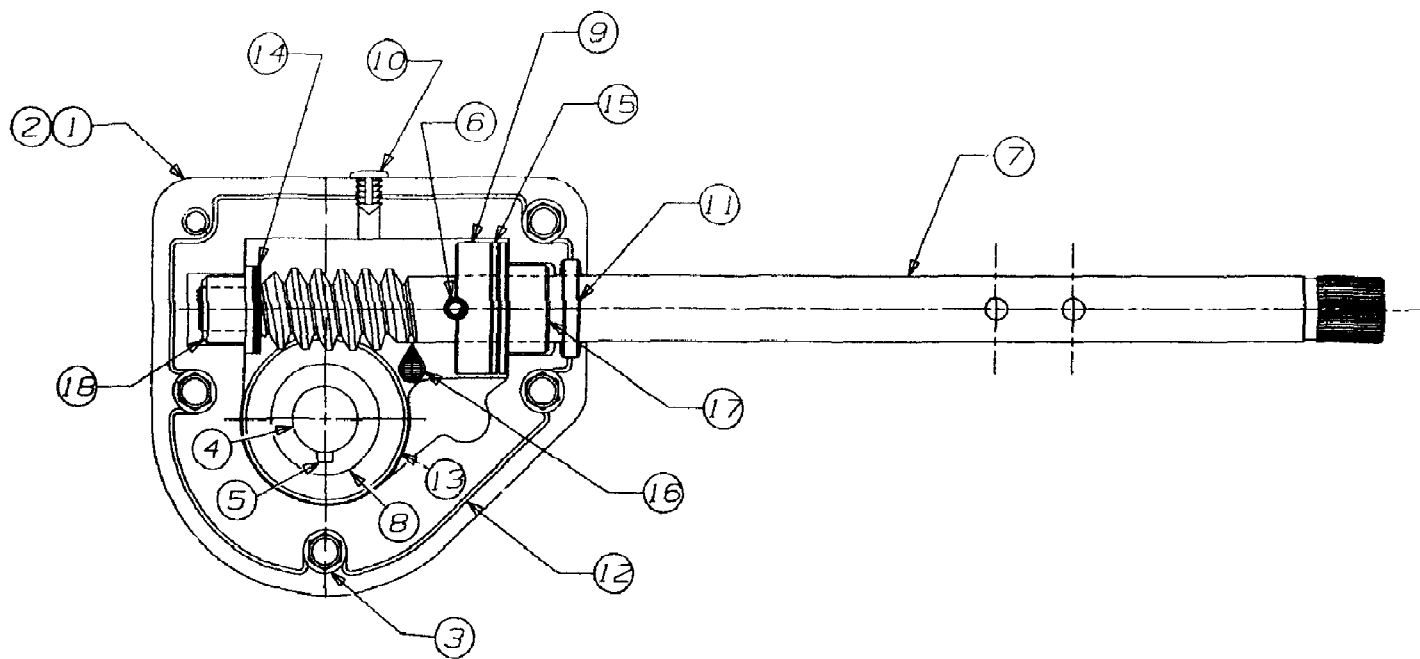
Ref #	Part Number	Qty	S/P/F	Description
1	05896A	1		Bracket
2	710-0627	1	/P	Screw
3	710-1245	1	/P	Screw
4	710-0230	1	/P	Screw
5	710-3005	1	/P	Screw
6	710-0696	1	/P	Screw
7	710-0627	1	/P	Screw
8	710-1652	2	/P	Screw
9	712-0181	1	S	Nut, Hex Jam
10	731-1324	1		Belt Cover
11	732-0339	1	S	Spring
12	736-0159	1	S	Washer
13	736-0242	1	/P	Washer - Bell
14	736-0247	1	/P	Washer
15	736-0270	1	/P	Washer
16	736-0331	1	/P	Washer - Bell
17	736-0505	1		Washer - Flat
18	736-0507	1	S	Washer
19	750-1053	1		Spacer
20	748-0360	1	S	Pulley, Adapter
21	754-0456	1	S	V-Belt
22	754-0430	1	S	V-Belt Matched
23	756-0313	1	/P	Idler, Flat
24	756-0569	2		Pulley, Half
25	756-0967	1		Pulley, Auger
26	756-0984	1	S	Pulley Half
27	756-0985	1		Pulley, Half
28		1		Engine
29	629-0071	1	S	Cord Extension
30	390-986	1	S	Starter



31AE623D190 Snow Boss 550 (1999)
Frame Assembly

Page 6 of 15

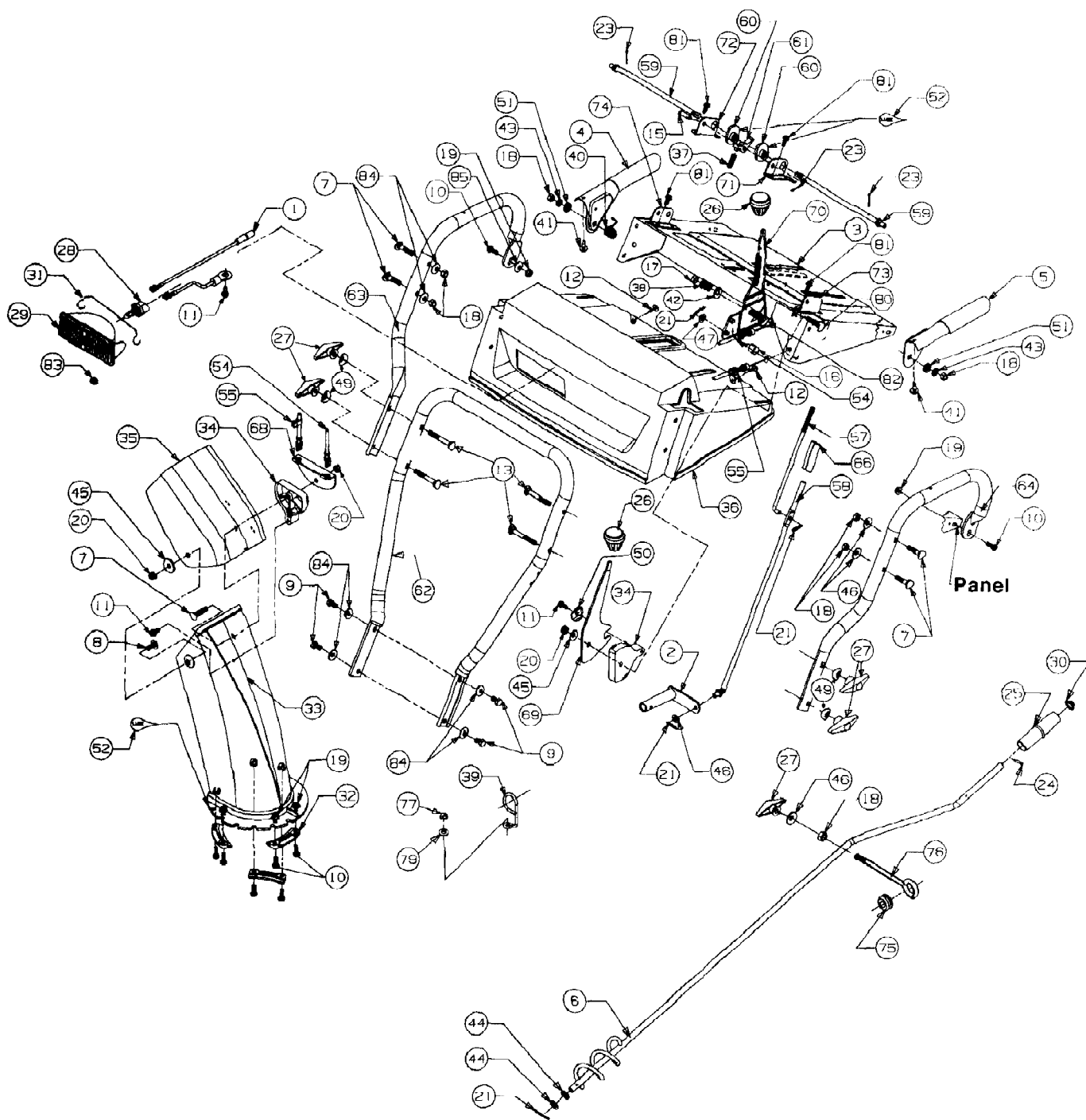
Ref #	Part Number	Qty	S/P/F	Description
1	618-0063	1		Bearing Ass'y.
2	656-0012A	1	S	Ass'y., Friction Wheel Disc
3	684-0013B	1	S	Rod Shift, Wheel Drive
4	684-0021	1	S	Brkt. Ass'y. Friction Wheel
5	684-0030	1		Frame Ass'y., 600 S/T
6	684-0042B	1	S	Wheel Friction
7	710-0654A	4	/P	Hex Self-Tap Screw
8	710-0538	1	/P	Screw-Hex Lock
9	710-0599	2	/P	Scr., Hex Wash. Hd., TT 1/4-20 x .5"
10	710-1652	12	/P	Hex Self-Tap Scr.
11	710-0788	2	/P	Screw, Hex
12	712-0116	1	S	Nut-Jam Hex
13	712-0711	1	/P	Nut, Hex
14	714-0126	1	S	Key
15	714-0143	2	S	Pin, Klick
16	714-0474	1	S	Pin, Cotter
17	715-0249	2	S	Pin, Roll
18	736-0351	1	S	Washer-Flat
19	717-1445	1		Gear
20	717-1444	1	S	Shaft, Hex
21	732-0264	1	S	Extension Spring
22	736-0105	2	/P	Washer, Bell
23	736-0160	1	S	Flat Washer
24	736-0188	3	/P	Washer, Flat
25	736-0242	2	/P	Washer, Bell
30		1		Lubricant
31	738-0869	1		Axle
32	738-0924	3	S	Screw, Shoulder
33	741-0563	2	S	Bearing, Ball
34	741-0598	2	S	Flange Bearing
35	746-0897	1	S	Cable, Auger
36	746-0898	1	S	Cable, Clutch
37	748-0190	1	/P	Spacer
38	756-0625	3		Roller, Cable
39	784-5590	1		Frame, Shift Bracket
40	784-5638	1		Cover, Frame
41	784-5688	1	S	Bracket, Drive Cable Roller
42	784-5687	1	S	Brkt., Auger Clutch Cable Guide
43	784-5689	1	S	Brkt., Front Support Guide
44	710-0599	6	/P	Hex Wash Hd. TT-Tap Scr. 1/4-20 x .5" Lg.
45	784-5617	1		Friction Plate
46	718-0301A	1	S	Friction Wheel Hub
47	735-0243	1	S	Friction Wheel Rubber



31AE623D190 Snow Boss 550 (1999)
Gear Assembly

Page 8 of 15

Ref #	Part Number	Qty	S/P/F	Description
1	618-0123	1	S	Housing - R.H.
2	618-0124	1	S	Housing - L.H.
3	710-0642	5	/P	Screw
4	711-0908	1	S	Axle, Spiral 24" (For model 633)
	711-1020	1	S	Axle, Spiral 22" (For model 623)
5	714-0161	1	S	Key, Hi-Pro
6	715-0143	1	S	Pin, Spiral
7	717-0526	1		Worm, Shaft
8	717-0528	1	S	Gear, Worm
9	718-0186	1		Collar, Thrust
10	721-0325	1		Plug
11	721-0327	1		Seal, Oil
12	721-0328	1		Loctite 5699
13	736-0351	2	S	Washer - Flat
14	736-0369	4	S	Washer - Flat
15	736-0445	1	S	Washer - Flat
16	737-0168	1	S	Grease
17	741-0662	1		Bearing Flange
18	748-0663	1		Bearing Flange



31AE623D190 Snow Boss 550 (1999)
Handle Assembly

Page 10 of 15

Ref #	Part Number	Qty	S/P/F	Description
1	629-0059	1	S	Harness-Light
2	684-0008A	1	S	Arm-Shift
3	684-0102	1		Panel Ass'y.-Handle w/Tilt
4	684-0036	1	S	Handle-Engagement - R.H.
5	684-0037	1	S	Handle-Engagement - L.H.
6	684-0022	1	S	Crank-Chute
7	710-0262	5	/P	Bolt-Carriage
8	710-0451	1	/P	Bolt-Carriage
9	710-3008	4	/P	Screw-Hex
10	710-3015	8	/P	Screw-Hex
11	710-0896	3	/P	Screw-Washer Head-Hex
12	710-1003	2	/P	Screw-Hex
13	710-0449	4	S	Bolt-Carriage
15	711-0653	1	/P	Pin-Clevis
16	711-0677	1	S	Ferrule
17	712-0116	1	S	Nut-Hex Lock
18	712-3010	6	S	Nut-Hex
19	712-3027	8	S	Nut-Hex Lock
20	712-0429	3	S	Nut-Hex Lock
21	714-0104	4	S	Pin-Cotter Internal
23	714-0507	3	S	Pin-Cotter
24	715-0138	2	S	Pin-Roll
25	720-0201A	1	/P	Knob-Chute Crank
26	720-0232	2	S	Knob-Shift
27	720-0284	4	S	Knob-Wing Nut
28	725-1658	1	S	Lamp
29	725-1672	1	S	Housing-Lamp
30	726-0100	1	S	Cap-Push
31	747-1136	1	/P	Clip-Retaining
32	731-0851A	3	/P	Keeper-Chute
33	731-1300A	1	S	Chute-Lower
34	731-1313B	2	S	Guide-Cable
35	731-1320	1	S	Chute-Upper
36	731-1737A	1		Panel-Handle
37	732-0145	1	/P	Spring
38	732-0193	1	/P	Spring
39	732-0705	1		Wire-Control
40	732-0746	1		Spring
41	735-0199A	2	S	Bumper
42	736-0105	1	/P	Washer-Bell
43	736-0119	2	S	Washer-Lock
44	736-0185	2	S	Washer-Flat
45	736-0159	1	S	Washer
46	736-0275	9	S	Washer-Bell
47	736-0264	2	S	Washer-Flat
49	736-0451	4	S	Washer-Saddle
50	736-0506	1	S	Washer
51	736-0509	2		Washer
52	737-0133	1	S	Lubricant
54	746-0896	1	S	Cable-Chute Control
55	746-0901	1	S	Cable-Chute Control
57	747-0620A	1	/P	Rod-Shift Upper
58	747-0621	1		Rod-Shift Lower

31AE623D190 Snow Boss 550 (1999)
Handle Assembly

Page 11 of 15

Ref #	Part Number	Qty	S/P/F	Description
59	747-0877	2		Rod-Cam
60	748-0362	2		Cam-Handle Lock
61	748-0363	1	S	Pawl-Handle Lock
62	749-0951	1		Handle-Lower
63	749-0954	1	S	Handle - R.H.
64	749-0955	1	S	Handle - L.H.
66	750-0963	1	S	Connector
68	784-5594	1		Bracket-Cable
69	784-5604	1	S	Handle-Chute Tilt
70	784-5619A	1	S	Handle-Shift
71	784-5679	1	S	Bracket-Handle Support - L.H.
72	784-5680	1	S	Bracket-Handle Support - R.H.
73	784-5681	1	/P	Bracket-Handle Support - L.H.
74	784-5682	1	S	Bracket-Handle Support - R.H.
75	735-0234	1		Grommet Rubber
76	747-0697	1	/P	Eyebolt-Chute
77	712-0324	1	/P	Nut-Hex Lock
79	736-0463	1	S	Washer-Flat
80	710-0505	1	/P	Screw-Hex
81	710-0599	4	/P	Screw-Tap Hex
82	710-0459A	1	/P	Screw-Hex
83	712-0271	1	/P	Nut-Sems Hex
84	736-0242	8	/P	Washer-Bell
85	736-0270	2	/P	Washer-Bell

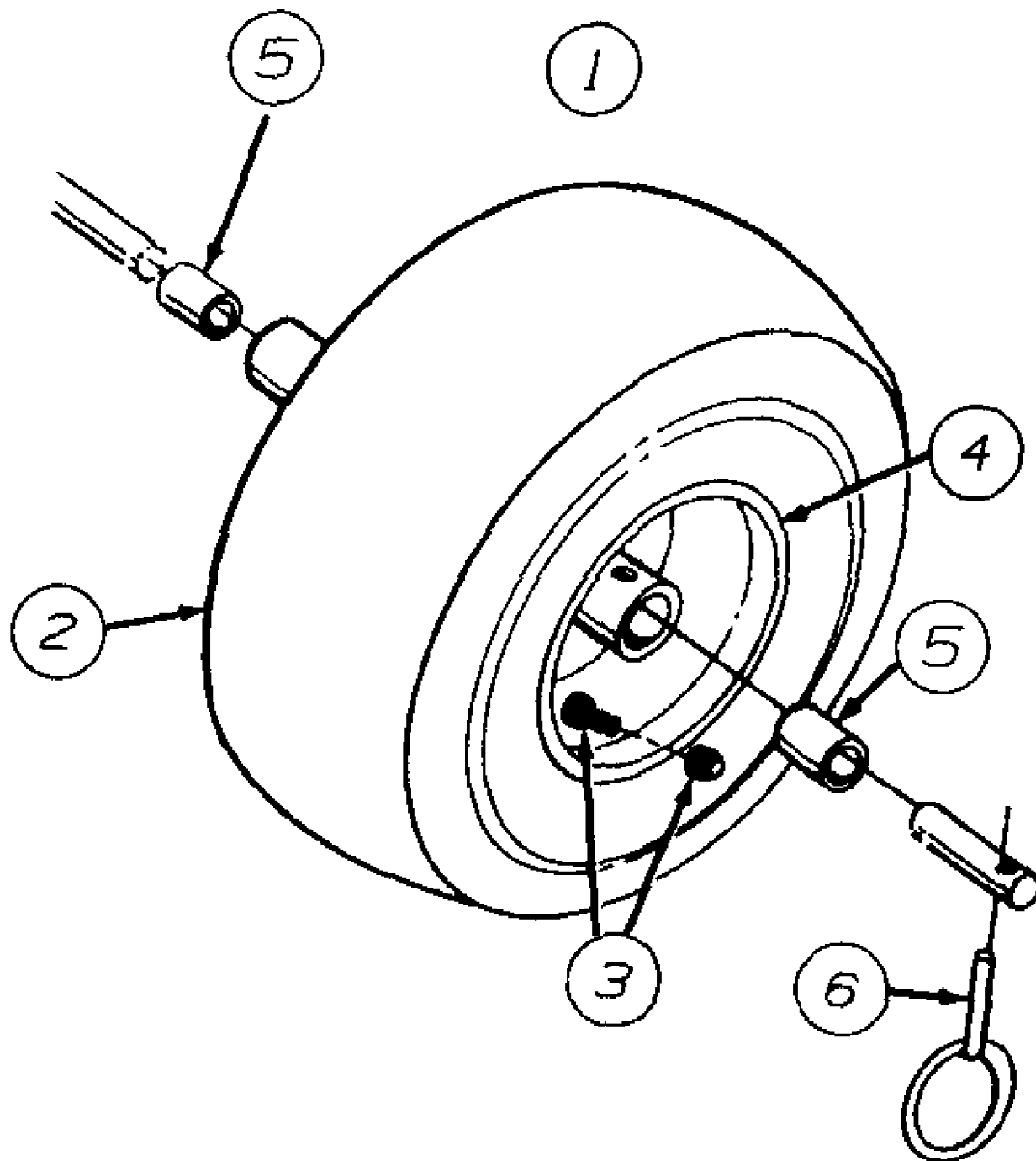
No
Diagram
Available

Parts List
Only

31AE623D190 Snow Boss 550 (1999)
Labels

Page 13 of 15

Ref #	Part Number	Qty	S/P/F	Description
	777D00073	1		WHITE Front Handle Panel Label
	777I20421	1		Instruction Label Handle Panel R.H.
	777I20422	1		Instruction Label Handle Panel L.H.
	777S30005	1		Danger/Warning Label
	777I20327	1		Klick Pin Label
	777S30004	1	S	Danger Label Chute
	777D01794	1		Sprigs Label Sides of Auger Housing
	777D00084	1		Engine Label (For model 633)
	777D00083	1		Engine Label (For model 623)
	777D00076	1		5.5/22 Label Top of Auger Housing (For model 623)
	777D00077	1		7/24 Label Top of Auger Housing (For model 633)



31AE623D190 Snow Boss 550 (1999)
Wheel Assemblies

Page 15 of 15

Ref #	Part Number	Qty	S/P/F	Description
1	634-0114	1		Wheel Ass'y. Complete 13 x 4 For model E623D
1	634-0140	1		Wheel Ass'y. Complete 15 x 5 For model E633E
2	734-1732	1		Tire Only 13 x 4 For model E623D
2	734-1859	1	S	Tire Only 15 x 5 For model E633E
3	734-0255	1	S	Air Valve 13 x 4 For model E623D
3	734-0255	1	S	Air Valve 15 x 5 For model E633E
4	734-1713	1		Rim Only 13 x 4 For model E623D
4	734-1713	1		Rim Only 15 x 5 For model E633E
5	741-0401	1	S	Sleeve Bearing 2 13 x 4 For model E623D
5	741-0401	1	S	Sleeve Bearing 2 15 x 5 For model E633E
6	714-0143	1	S	Klick Pin 13 x 4 For model E623D
6	714-0143	1	S	Klick Pin 15 x 5 For model E633E